



Contents



Note: Packing difference exists for different meters or batches.
The photo is for reference only.

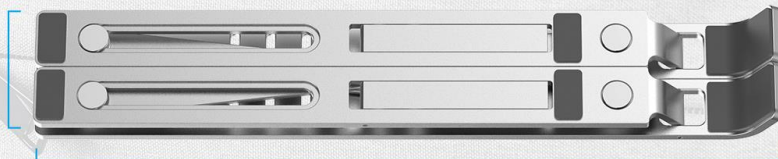
Foldable & Portable

Ultra-lightweight

182g



40mm



240mm

Secure & Perfectly Positioned

Non-slip Silicone Pads



Upper surface



Groove

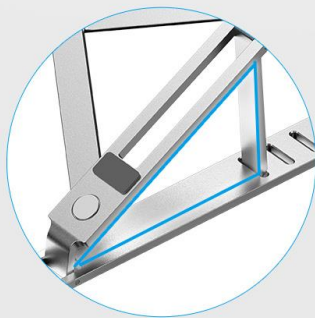
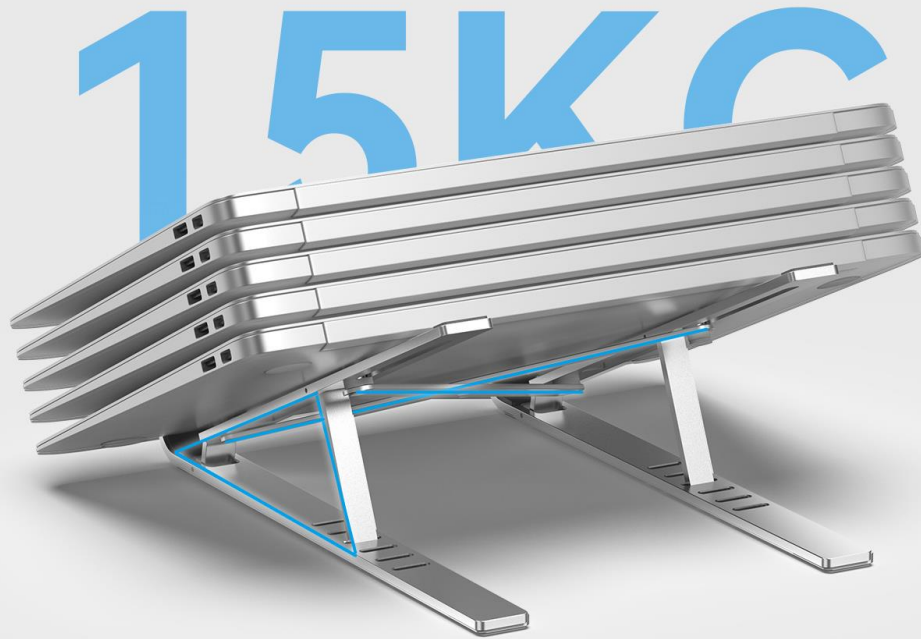


Bottom

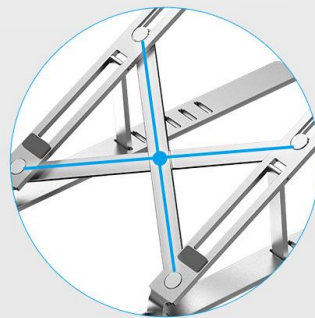
Open-Frame Design



High Quality Construction



Solid and Sturdy



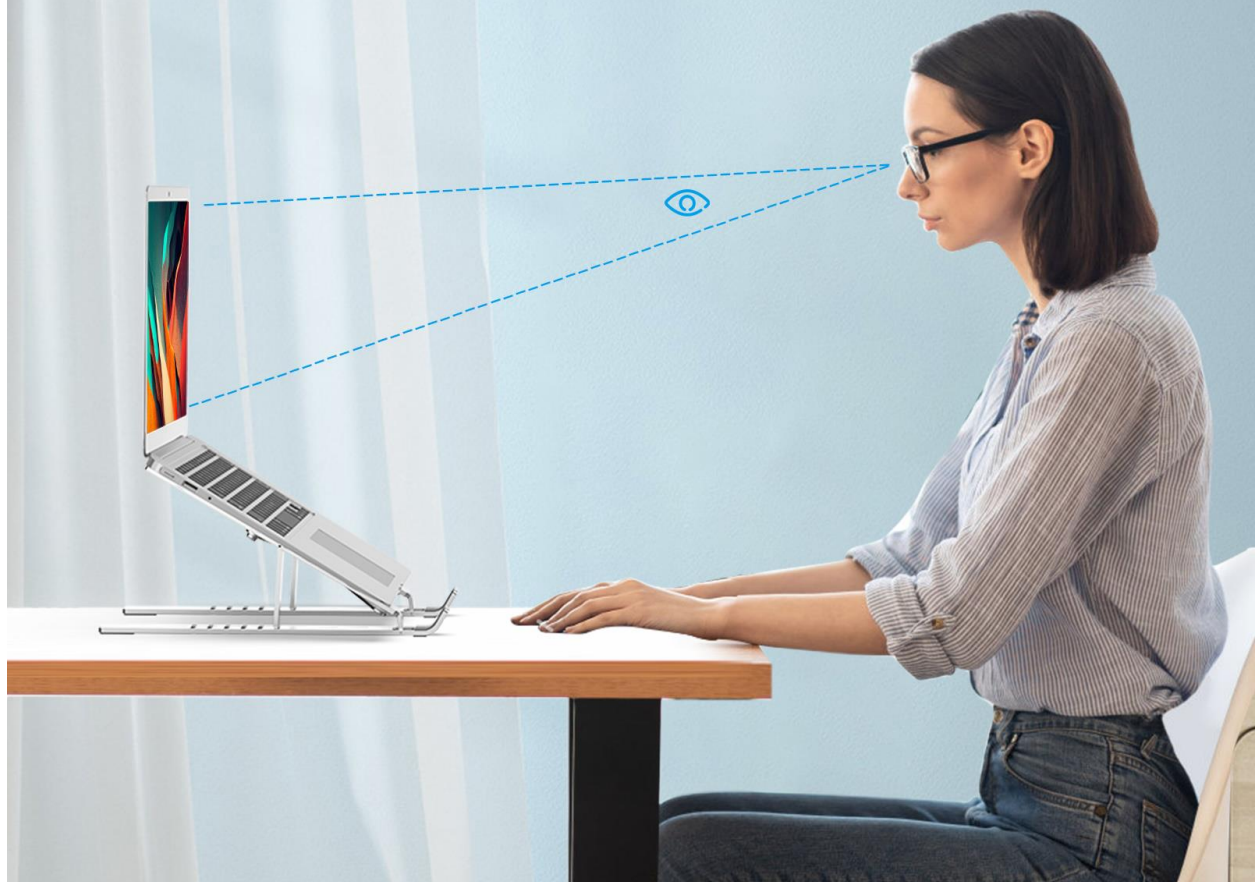
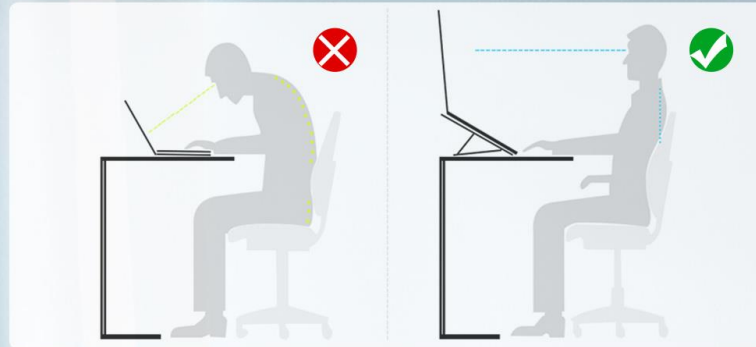
Collapsible Design

6 Adjustable Viewing Angles



Comfortable & Ergonomic

Elevate and angle laptops for better screen viewing and comfort.



Boost Productivity & Comfort

Adjustable Folding Laptop Stand



Specifications

Brand	Vention
Name	Laptop Stand
Model	KDM
Color	Silver
Frame	Aluminum alloy
Anti-Slip pads	Silicone
Net weight	182g
Weight capacity	15kg
Compatible device size	17"
Packaging	Color box

VENTION®

